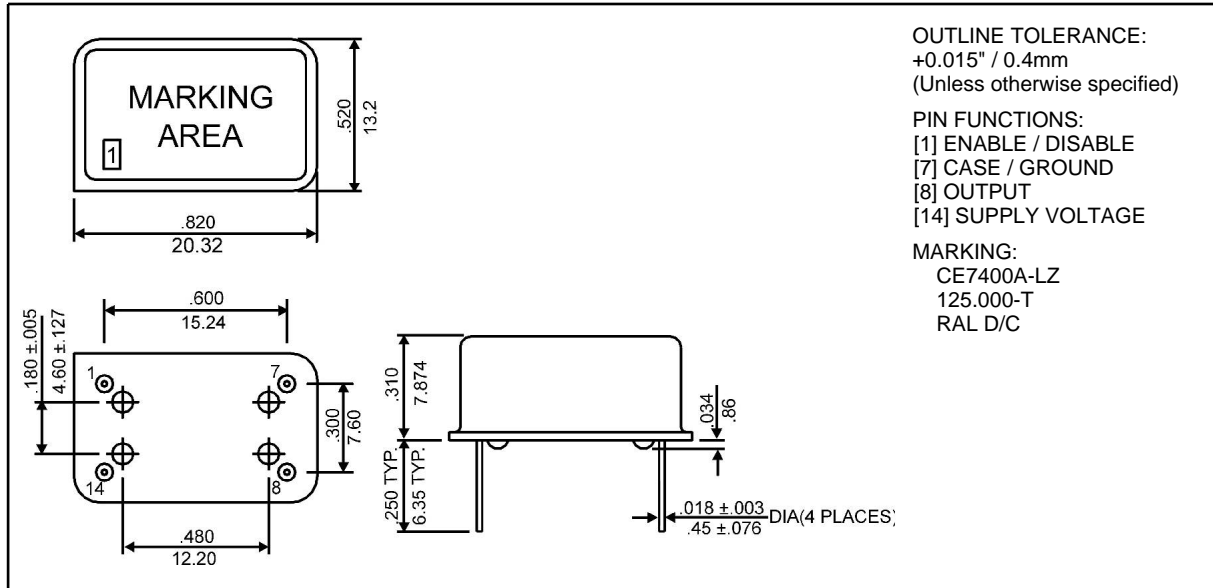


CE7400A-LZ-125.000-T

APPROVALS

RALTRON	
Eng. approval, date:	Name (please print):
Sales approval, date:	Title (please print):
Created by, date: PartGenerator	Signature, date:
Revision:	

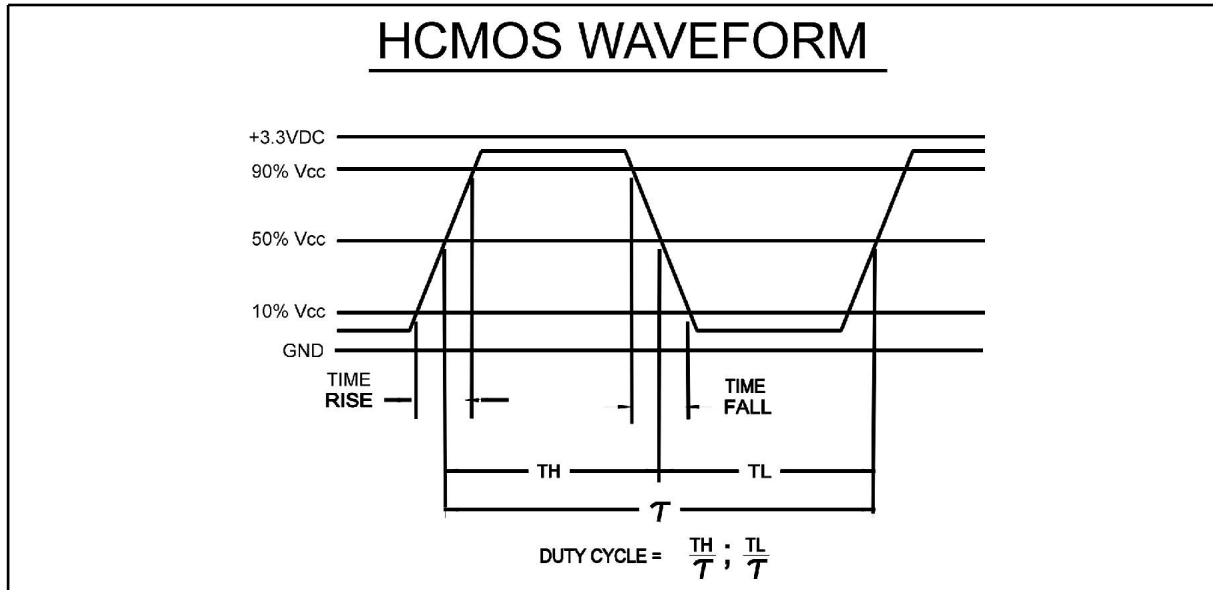
MECHANICAL SPECIFICATION



ELECTRICAL SPECIFICATION

PARAMETER	SYMBOL	CONDITIONS	VALUE	UNIT
Frequency, nom	fo	-	125.000	MHz
Supply Voltage, max.	Vcc	Vcc ±5%	+3.3	V
Supply Current, max.	Is	Vcc=±5%, Ta=+25°C, 15 pF load	70.0	mA
HCMOS output levels	VOH / VOL	Vcc=+5.0VDC, load=15 pF	2.97/0.33	V
Duty Cycle	DC	load=15pF / @ 50%Vcc, Ta=+25°C	45...55	%
Rise- / fall time, max.	tr / tf	20%~80% Vout, 80%~20% Vout	2.00	ns
Overall freq. stability, max.	Δf/fc	Including temp., ±5% load & supply variations, calibration @+25°C and 10 year aging	100.0	ppm
Enable option (pin 1)	En	High or open (min.)	+2.4	V
Disable option (pin 1)	Dis	Ground (output pin high impedance)	+0.4	V
Operating temperature range	Ta	-	0...70	°C
Storage temperature range	T(stg)	-	-55...125	°C
Absolute voltage Range	Vcc (abs)	Non-destructive, DC	-0.5...+7.0	V

■ TIMING DIAGRAM



■ ELECTRICAL TEST DIAGRAM

